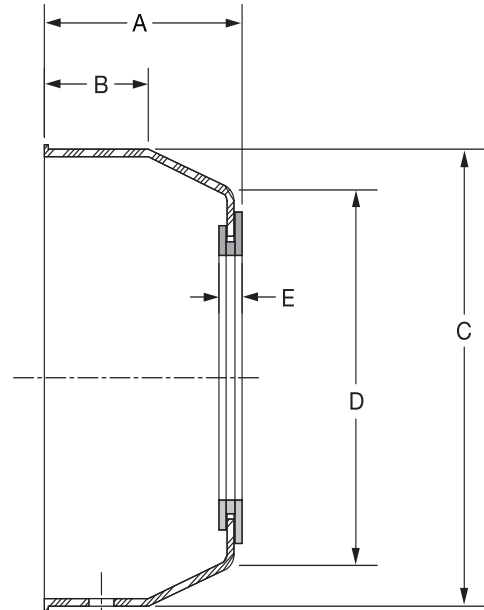
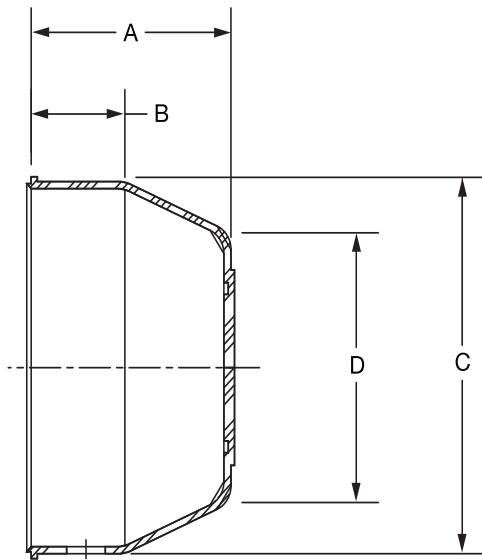




ACCESSORIES

E-Z KLEEN/ULTRA KLEEN Mounted Bearings Polymer and Stainless Steel Housed End Closures



Series	For Shaft Size	Closed End Closure Part Number	Description	A	B	C	D	Open End Closure Part Number	Description	A	B	C	D	E
204	3/4	128960	ECC-EZ-204	1-1/8	17/32	1-29/32	1-3/8	128974	ECO-EZ-012	1-3/16	17/32	1-29/32	1-3/8	3/16
	20mm			28.7	13.5	48.4	35.1	128991	ECO-EZ-20M	30.2	13.5	48.4	35.1	4.9
205	1	128961	ECC-EZ-205	3/16	17/32	2-11/64	1-39/64	128975	ECO-EZ-100	1-1/4	17/32	2-11/64	1-39/64	3/16
	25mm			30.2	13.5	55.1	40.9	128992	ECO-EZ-25M	31.8	13.5	55.1	40.9	4.9
206	1-3/16	128962	ECC-EZ-206	1-21/64	9/16	2-1/2	31/32	128976	ECO-EZ-103	1-25/64	9/16	2-1/2	31/32	3/16
	1-1/4			33.8	14.2	63.5	50.0	128989	ECO-EZ-104S					
	30mm			35.3	14.2	63.5	50.0	128993	ECO-EZ-30M	35.3	14.2	63.5	50.0	4.9
207	1-1/4	128963	ECC-EZ-207	1-15/32	11/16	2-29/32	2-5/16	128977	ECO-EZ-104	1-17/32	11/16	2-29/32	2-5/16	3/16
	1-7/16			37.3	17.5	73.9	58.9	128990	ECO-EZ-107					
	35mm			38.9	17.5	73.9	58.9	128994	ECO-EZ-35M	38.9	17.5	73.9	58.9	4.9
208	1-1/2	128964	ECC-EZ-208	1-35/64	11/16	3-5/16	2-49/64	128978	ECO-EZ-108	1-19/32	11/16	3-5/16	2-49/64	13/64
	40mm			39.1	17.5	84.1	70.1	128996	ECO-EZ-40M	40.6	17.5	84.1	70.1	5.1
209	1-11/16	128965	ECC-EZ-209	1-19/32	23/32	3-1/2	2-7/8	@	ECO-EZ-111	1-21/32	23/32	3-1/2	2-7/8	13/64
	45mm			40.4	18.3	88.9	72.9	@	ECO-EZ-45M	41.9	18.3	88.9	72.9	5.1
210	1-15/16	128966	ECC-EZ-210	1-21/32	29/32	3-5/8	3	128980	ECO-EZ-115	1-23/32	29/32	3-5/8	3	13/64
	50mm			42.2	23.1	91.4	76.2	128997	ECO-EZ-50M	43.7	23.1	91.4	76.2	5.1

@ Assembled to order

FEATURES/BENEFITS PAGE B2-3	HOW TO ORDER/NOMENCLATURE PAGE B2-8	EASY SELECTION PAGE B2-12	SELECTION/DIMENSIONS PAGE 2-24
--------------------------------	--	------------------------------	-----------------------------------



NOTES

Bearing Reference Guide

ULTRA KLEEN

E-Z KLEEN

Extreme Duty

Setscrew Ball Bearing

GRIP TIGHT

D-LOK Ball Bearing

B2-78